

TROFFERS

VOLUMETRIC DUAL LENS



Product Description

Kobi Electric LED Troffers are a complete replacement for linear fluorescent light fixtures. Instead of replacing tubes, this product allows for a complete retrofit to a more updated light fixture. Our Troffers are designed not only for recessed mounting applications, but can be surface mounted with an optional kit. They are available in two volumetric versions, single and dual lens as well as two panel versions, P12 and frosted lens, with several wattage and lumen options available.

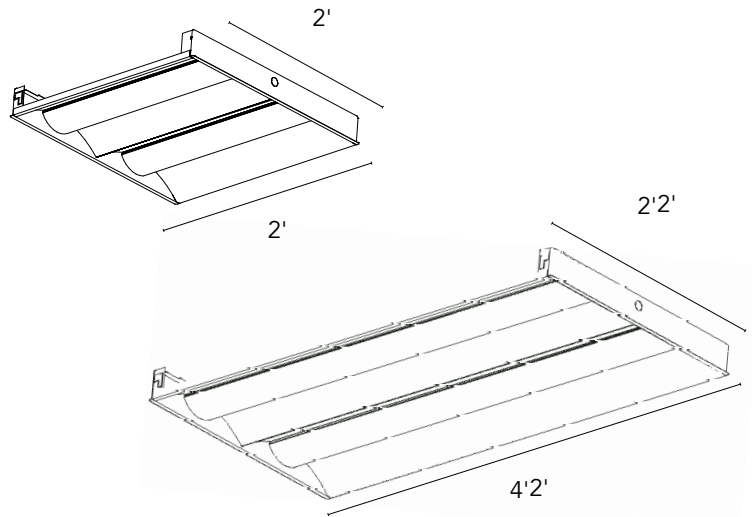


SPECIFICATIONS

AVERAGE RATED LIFE	>50,000 hrs
Dimming	0-10V
POWER	120-277V, 50/60Hz
COLOR (K)	4000, 5000

BENEFITS

- Eliminates fluorescent lamp and ballast maintenance costs
- Longer, more energy efficient life than fluorescent lamps
- Suitable for damp locations
- Mercury and Lead free, UV and IR free
- Instant on to full brightness



DIMMER COMPATIBILITY*

Lutron: MS-Z101, DVSTV-WH, DVTV-WH, NFTV-WH
Cooper: SF10P-W
Eaton: DF10P-C1

*The listed dimmers have been tested and proven to work under limited laboratory conditions. All possible electrical conditions cannot be accurately simulated, and therefore some discrepancy may exist.

SURFACE MOUNT KITS

Order Code	Part Number	Descriptions
K2Q8	SMK22	2' x 2' Surface Mount Kit
K2Q9	SMK24	2' x 4' Surface Mount Kit

Application Notes

1. Operating temperature range between -20°C and +45°C (-4°F and +113°F)
2. Not for use with emergency light fixtures or exit lights

! If not qualified, do not attempt installation.
 Contact a qualified electrician.

CERTIFICATIONS



LM79 reports are available upon request.



Based on 12 hours of use per day.

VOLUMETRIC DUAL LENS

Order Code	Part Number	Wattage (W)	Size (Ft)	Voltage (V)	CCT ¹	Typical Lumens ²	CRI ³	Dim	Weight (lbs)	Case Quantity	Lighting Facts	DLC QPL
K4R0	TR2-22-34-40-MV	34	2 x 2	120-277	4000K	3850	>80	0-10V	8.60	1	YES	PREMIUM
K4R1	TR2-22-34-50-MV	34	2 x 2	120-277	5000K	4050	>80	0-10V	8.60	1	YES	PREMIUM
K4R2	TR2-24-42-40-MV	42	2 x 4	120-277	4000K	4950	>80	0-10V	19.62	1	YES	PREMIUM
K4R3	TR2-24-42-50-MV	42	2 x 4	120-277	5000K	5200	>80	0-10V	19.62	1	YES	PREMIUM
K9N3	TR2-24-68-40-MV	68	2 x 4	120-277	4000K	8300	>80	0-10V	19.62	1	YES	PREMIUM
K9N4	TR2-24-68-50-MV	68	2 x 4	120-277	5000K	8550	>80	0-10V	19.62	1	YES	PREMIUM

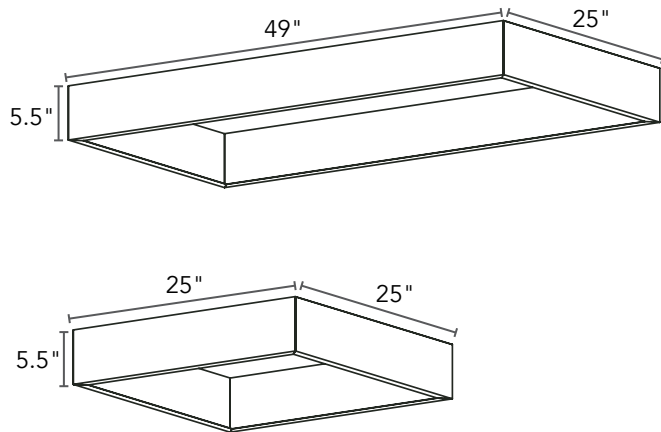
1. Thermally stable typical CCT (±10%) 2. Thermally stable typical lumens (±10%) 3. CRI - Color Rendering Index

Available Emergency Lighting Equipment

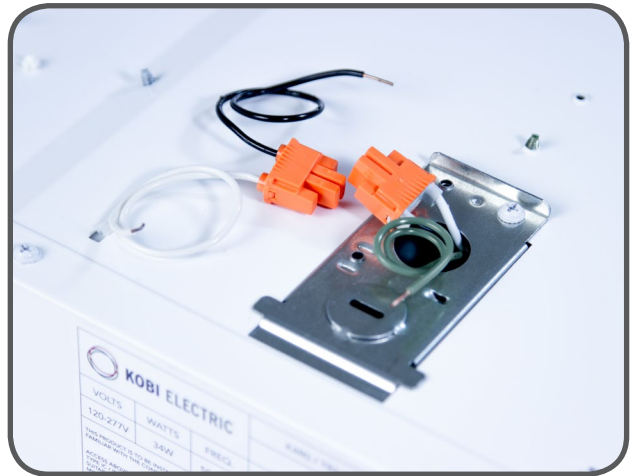
K5R3	2' x 2'	ILB-CP-5-A	IOTA Battery Backup
K5R4	2' x 4'	ILB-CP-10-A	IOTA Battery Backup
K5FI	-	-	Factory Install

SURFACE MOUNT KITS

K2Q8	SMK22	2' x 2' Surface Mount Kit
K2Q9	SMK24	2' x 4' Surface Mount Kit



SEISMIC CLIP



WIRING HARNESS

For the most up-to-date specifications, visit kobielectric.com.